



Guide with Silencing Strip



Emergency Brake System for Springless Drum



100mm Slat

## SC100 Steel Roller Shutter

### FEATURES

- SECURE
- ROBUST
- EASILY INSTALLED
- PASSES AUSTRALIAN STANDARDS
- CYCLONE RATED TO COMPLY WITH AS/NZS 1170.2-2011

The SC100 Roll Formed Roller Shutter with 100mm Galvanized Steel slats as supplied by Steel-Line.

The heavy duty steel slat is designed to withstand the wear and tear of industrial and commercial applications with minimal maintenance. The rolled slat can be replaced individually should the damage occur.

The SC100 Steel Roller Shutter is purposely built with guide channel that has nylon rubber to minimize the noise that comes from the interlocking slats. The SC100 Steel Roller Shutter can be hand operated or electric operated. Each slat is fitted with nylon end clips to reduce the lateral movements and ensure smooth operation for the life of the door.

## Standard Curtain

The SC100 shutters are available in 0.8mm and 1mm thickness.  
 Note: Recommended maximum width is 10 metres. Refer to Steel-Line Counterweight products for larger single span openings.

## Curtain Alternatives

Slotted Slats (Ventilation) – Any number of the slats can be punched with 90mm wide x 25mm high slots.

Multi-hole Slats\* – The slats can also be continuously perforated with 2.41mm diameter holes at 3.66mm staggered centres prior to rolling (this allows maximum air flow the holes are over the entire surface area of the slat). These perforations cover 40% of the slat surface.

*\*The perforation process removes much of the Galvabond protection from the slat. Premature surface corrosion may occur as a result. This is not covered by warranty.*

## Roller Drum

The roller drum is a robust seamless steel tube encasing the shaft and helical counterbalance spring (for manually operated). The end caps and roller bearings are designed to provide smooth operation.

## Guide Channels

2mm galvanized steel is roll formed with the nylon rubber to make a noticeably quiet steel roller shutter when opens and closes on a 100mm x 48mm guide channel.

*\*Nylon rubber not available with wind locked guides.*

## Support Bracket

The support brackets are fabricated from mild steel plate and designed to be fitted to a solid fixing point of adequate strength to support the weight of the door and any wind loading that may be required (adequate fixing points to be supplied by others).

## Bottom Rail

The bottom rail is roll formed from 3mm galvanized steel to make a 50mm x 50mm angle. This angle is securely fixed to the front of the slat (bottom of angle protrude to inside of opening). This can also be aluminium bottom rail.

## Operation

Hand Operation – Small roller shutters with an area of 6 square meters may be hand operated. Pull hook is provided for opening and closing the door.

Electric Operated – Motorization includes 1Hp motor incorporating a standard reversing contractor and an Up, Down, Stop button controller with a hand chain override in case of power failure. For remote control and other options, please contact Steel-Line. All wiring will be by others.

## Locking Operation

Hand Operated – will have sliding shoot bolts.

Electric Operated – will be secured by electrical motors and controls.

## Finish

Standard finish is galvanised curtain and guides with all other exposed parts prime painted. Optional finishes to slats only is powder coating.

## For Cyclonic Conditions

High strength wind locks and guides are designed to prevent the curtain from blowing out of the guide rail. Wind locks can be fitted every 2nd or every 4th slat depending on the location and function.

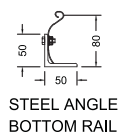
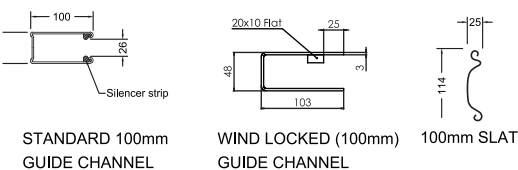
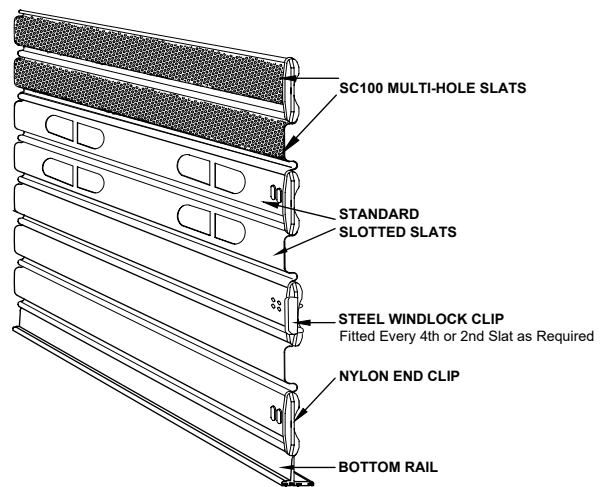
Bundle Diameter and Minimum Required Headroom

Height	Width	Bundle Diameter and Minimum Required Headroom							
		≤ 7000		8000		11000		12000	
2000		330	600	330	600	360	730	400	750
3000		380	625	380	625	440	770	440	770
4000		420	645	450	660	470	785	510	805
5000		460	665	480	675	510	805	540	820

Nib Clearances	
Guide	150
Head	285

Bundle Diameter and Minimum Required Headroom

Height	Width	Bundle Diameter and Minimum Required Headroom							
		≤ 7000		8000		11000		12000	
6000		490	680	510	690	570	835	570	835
7000		530	700	550	710	600	850	600	850
8000		560	715	580	725	620	860	-	-
9000		590	730	630	750	650	875	-	-



Steel-Line reserves the right to change specifications at any time without notice.

MD031-SC5000-V2 (0517) Copyright © Steel-Line Garage Door Australia. All rights reserved.